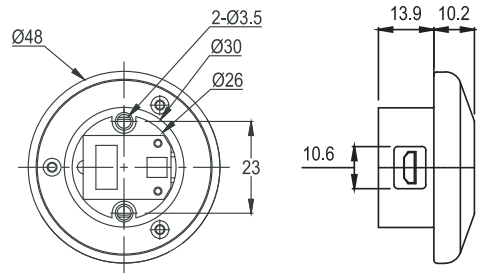


INTELLIGENT FURNITURE SMART FINGERPRINT LOCK

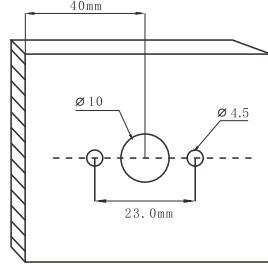
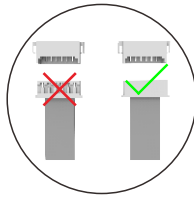


USER MANUAL

INSTALLATION INSTRUCTION

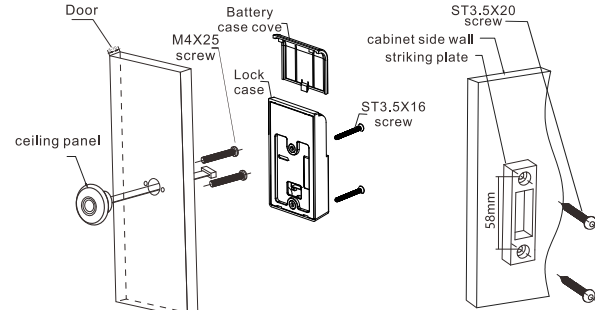
Step 1: To install the front panel and lock case
 1) Paste the drawing on the door at proper height, the distance is approx. 40MM between centre hole and opening wall, then drill the hole accordingly. See picture 1

wire connection



Picture 1

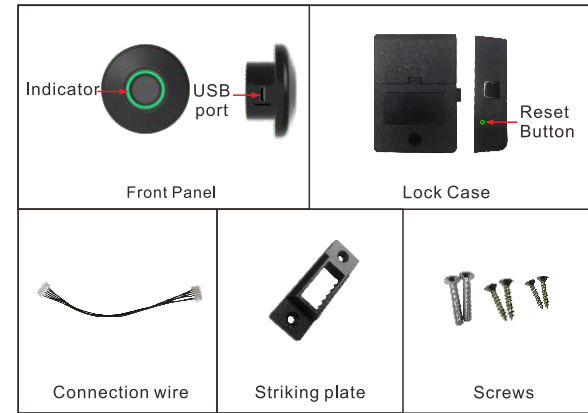
1) Insert connecting wire (See picture 2) into the front panel, then wire goes through the centre hole; fix up the panel by screw M4X25
 2) Insert connection wire (See Picture 2) into lock case, then fix up by screw ST3.5X16MM. Make sure the distance is 40MM between the centre of lock case and opening wall
Step 2 Install the striking plate
 Fix up the striking plate by screw ST3.5X20. Make sure it can catch the latch of lock case and lock the door. The distance is approx. 20.5MM



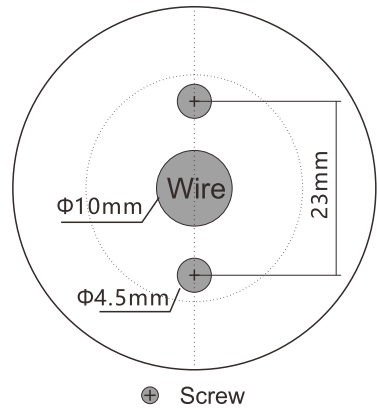
Picture 2

Picture 3

COMPONENT



Installation Ceiling Panel



⊕ Screw
 Cut off the page and paste it on the door, then drill the hole according to the drawing

USER INSTRUCTION

Feature

1. Access control: fingerprint
2. Advanced Biometric technology for better response and sensitivity
3. Add up to 20 fingerprint
4. Automatic motorized mechanism
5. Large light indicator with visual signal
6. Operates with 3 AAA alkaline batteries, batteries life time up to 1 year.
7. Widely used in drawer, cabinet, wardrobe etc.

Step 1 Select Operation Mode

→ Press reset button for 4 sec, four (4) beeps, then keep holding two (2) beeps, release
 → Mode changed, all the fingerprint clear off

Note:

- ☆ Automatic Mode: Latch stretches out in 4 sec after opened
- ☆ Manual Mode: Latch keeps inside the box after opened
- ☆ Automatic mode and manual mode change in turn, automatic mode in factory setting

Step 2 Register new fingerprint

→ Press reset button then release, a (1) beep, blue light on
 → Put a finger on the reader, a (1) beep then remove; same operation for six (6) times
 → Light turn into green with two (2) beeps, fingerprint registered.
 → If any mistakes, indicator in red with three (3) beeps. Try again.

Note:

- ☆ Same operation to add more fingerprint. It can register 20 fingerprint, more than 20 ones, the system will log off. If new fingerprint needed, clear up all the fingerprint first.
- ☆ Any finger can open the lock before registered one, ensure register the fingerprint before using.
- ☆ Ensure the lock works well, it's better to add no less than 3 different fingerprint to register. When registering, put on the finger as the following maps



Step 3 Remove all the fingerprint

→ Press reset button for 4 sec, four (4) beeps then all the fingerprint removed

Note:

- ☆ Ensure the belong safety, clear up all the fingerprint before using

Step 4 Lock and Unlock

1. Automatic Mode

→ Push the door closed and door locks automatically
 → Put valid finger on the reader
 → Indicator in green, two (2) beeps, door unlocked, then pull door open

2. Manual Mode

→ Push the door closed, then put valid fingerprint on the reader. Latch stretches out, two (2) beeps, door locks
 → Put valid finger on the reader
 → Indicator in green, two (2) beeps, door unlocked, then pull door open

Low Battery Warning

Six (6) beeps after opened indicates low battery, please replace the battery immediately. If the battery can't open the door, enter outer power supply by USB port to open the lock.