



KEYLESS LOCKS
SMART DIGITAL LOCKS
SMART FURNITURE LOCK

More than furniture but safes
Fully comprehensive storing solution
Make unique and personal



Fingerprint Digital Lock S80E45

Used in drawer and cabinet in hospital,
office, school etc.



Fingerprint



Digital



High
sensitivity



Black



Silver

Accessory parameters



LOCK CASE

Material: ABS
Size:
80*80*27mm

STRICKER PLATE

Material: ABS
Size:
80*27*21.5mm

Screws for lock case installation(KA3*35)

Screws for panel installation(KB3*25/30)

Screws for plate installation(PA4*12)

Screws for battery box installation(M2*12/M2*4)

CONNECTING WIRE

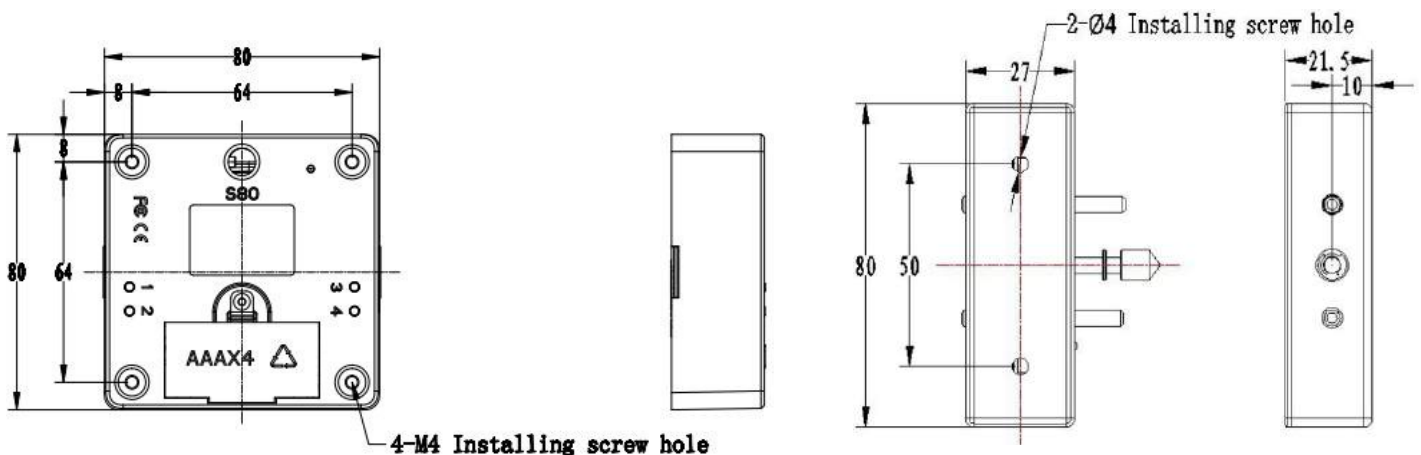
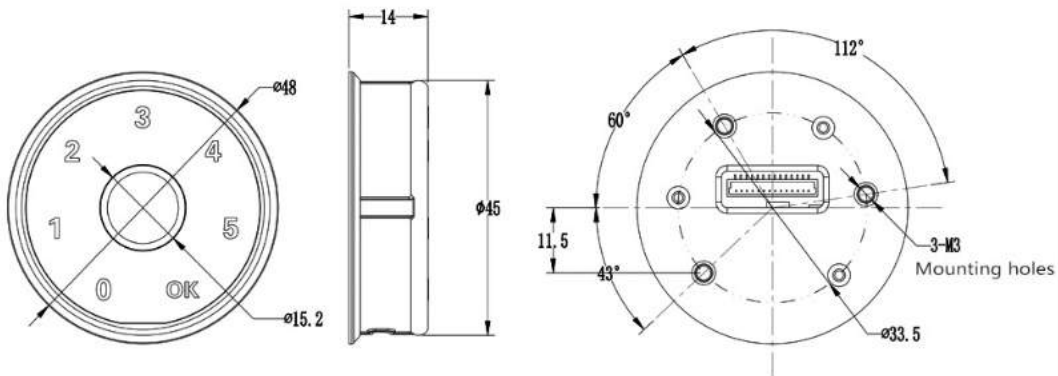
Technical parameter

- Model: S80E45
- Color: black, silvery
- Material: Zinc alloy
- Battery: 4*AAA battery
- Supply voltage: 6V
- Quiescent current: <100uA
- Dynamic current: <200mA
- Low voltage alarm voltage: 4.5V
- Life time: >25,000 times opening
- Working temperature: -15°C ~ +65°C
- Different working modes: public and private

Features

- Smart and keyless, fingerprint and password.
- Up to 100 fingerprints can add.
- The power supply use 4*AAA battery.
- Low power design, life time more than 1year.
- Low battery warning, Micro USB for emergency.
- Motorized mechanism automatically.
- Suitable for installation in drawer, cabinet, single door, double door and other wooden cabinets.
- Door thickness requirement>5mm, standard screw for 15-20mm thickness door.
- Hook alarming, when door did not close for 30s, the hook will alarm(could be disable).

Installation size





Fingerprint Lock

F022

Used in drawer and cabinet in hospital, office, school etc.



Fingerprint



High sensitivity



Wide range of use



>4000 HOUR

Low power design

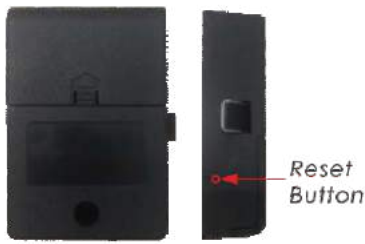


F022B



F022W

Accessory parameters



LOCK CASE
Material:ABS
Size:
60×86×23.5mm



STRIKING PLATE
Material:ABS
Size:
73.3X24.2X12MM



SCREW
M4×25 (Panel)
ST3.5×16(Lock case)
ST3.5×20(Striking Plate)



CONNECTING WIRE

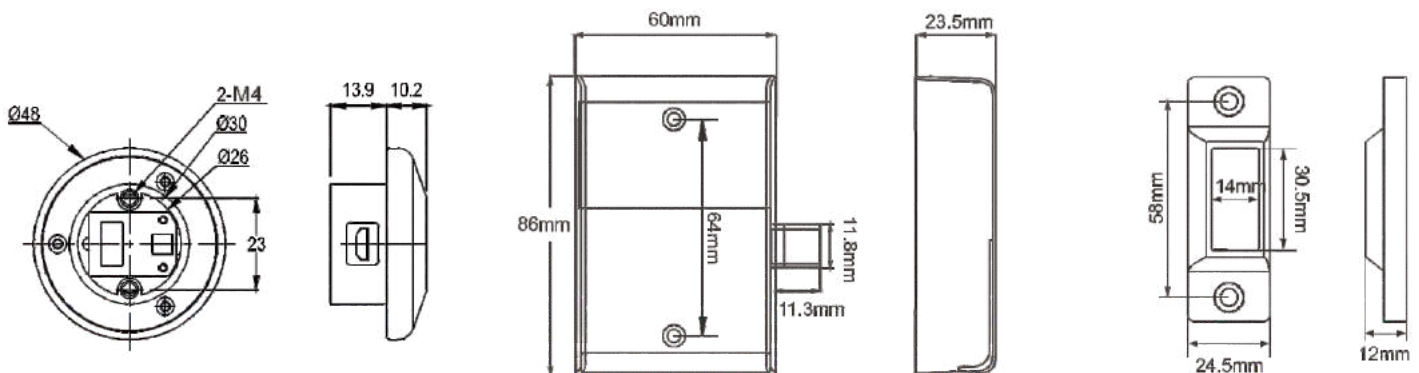
technical parameter

- Model: F022
- Color: black, white
- Material: zinc aluminum alloy
- Battery: 3xAAA battery
- Supply voltage: 4.5V
- Quiescent current: $\leq 20\mu\text{A}$
- Dynamic current: $\leq 220\text{mA}$
- Low voltage alarm voltage: $3.6\text{V} \pm 0.2\text{V}$
- Life time: >20,000 times opening
- Working temperature: $0^{\circ}\text{C}-55^{\circ}\text{C}$
- Working humidity: 20%-80% RH

Features

- Smart and keyless, fingerprint control.
- Up to 20 fingerprints can add.
- The power supply uses 3xAAA battery.
- Low-power design, life time more than 1 year.
- Low battery warning, Micro USB for low battery.
- Motorized mechanism automatically.
- Suitable for installation in drawer cabinets, single door, double door and other wooden cabinets.
- Door thickness requirement >5mm, standard screw for 15-20mm Door panel.

Installation size



PANEL

LOCK CASE

STRIKING PLATE



Fingerprint Lock F040

*Used in drawer and cabinet in hospital,
office, school etc.*



Fingerprint



High
sensitivity



Wide range
of use



>4000
HOUR
Low power
design

Accessory parameters



LOCK CASE
Material:ABS
Size:
87.7×63.7×22mm



STRIKING PLATE
Material:ABS
Size:
56.5X29.5X42MM



SCREW
ST2×8(Panel)
ST3×12(Panel)
ST4×35(Lock case)
ST4×20(Striking Plate)
ST4×16(Striking Plate)



WASHER
Material:ABS
Size:
45×22×2.7mm

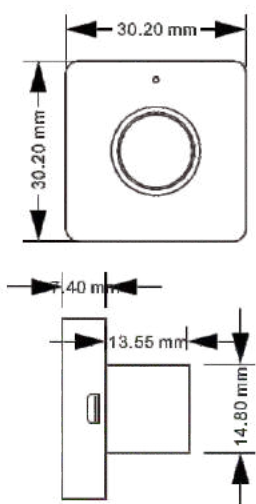
technical parameter

- Model: F040
- Color: black
- Material: ABS
- Battery: Rechargeable lithium battery
- Recognition time: <300Ms
- Service life: >1 million
- Working temperature: -20°C-70°C
- Working humidity: 40%-85% RH

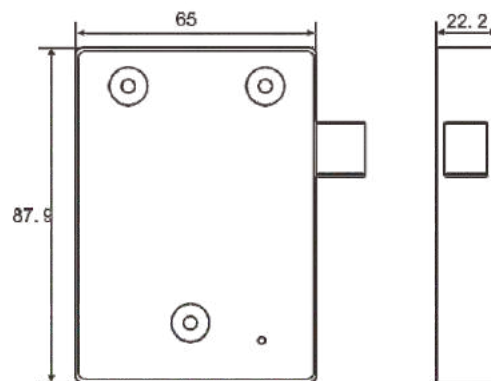
Features

- Smart and keyless, fingerprint control.
- Up to 20 fingerprints can add.
- The power supply uses Rechargeable lithium battery.
- Low-power design, life time more than 1 year.
- Motorized mechanism automatically.
- Suitable for installation in drawer cabinets, single door, double door and other wooden cabinets.
- Door thickness requirement >15mm, standard screw for 15-20mm Door panel.

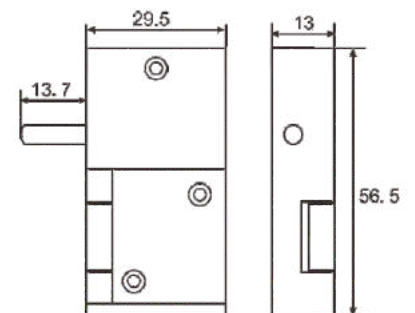
Installation size



PANEL



LOCK CASE



STRIKING PLATE



Fingerprint Lock F050

Used in drawer and cabinet in hospital,
office, school etc.



Fingerprint



High
sensitivity



Wide range
of use



>4000
HOUR
O



Accessory parameters



LOCK CASE
Material:ABS
Size:
60×86×23.5mm



STRIKING PLATE
Material:ABS
Size:
73.3X24.2X12MM



SCREW
M4×8(Panel)
ST3.5×16(Lock case)
ST3.5×20(Striking Plate)



CONNECTING WIRE



WASHER

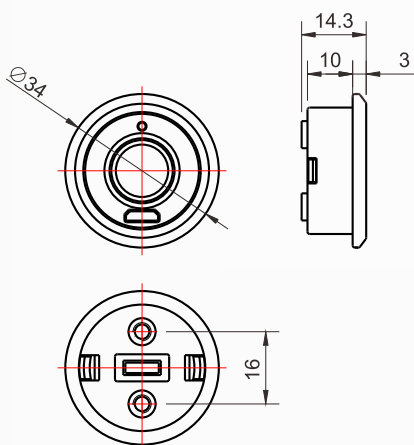
technical parameter

- Model: F050
- Color: Nickel
- Material: zinc aluminum alloy
- Battery: 3xAAA battery
- Supply voltage: 4.5V
- Quiescent current: $\leq 20\mu A$
- Dynamic current: $\leq 220mA$
- Low voltage alarm voltage: $3.6V \pm 0.2V$
- Life time: >20,000 times opening
- Working temperature: $0^{\circ}C-55^{\circ}C$
- Working humidity: 20%-80% RH

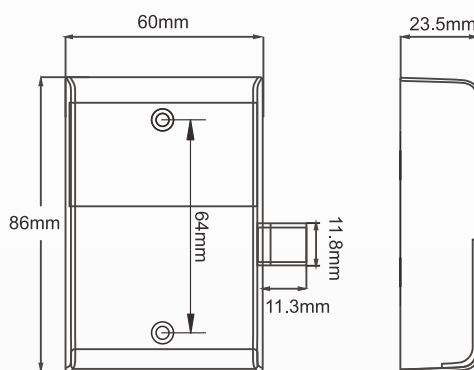
Features

- Smart and keyless, fingerprint control.
- Up to 20 fingerprints can add.
- The power supply uses 3xAAA battery.
- Low-power design, life time more than 1 year.
- Low battery warning, Micro USB for low battery.
- Suitable for installation in drawer cabinets, single door, double door and other wooden cabinets.
- Door thickness requirement >15mm, standard screw for 15-18mm Door panel.

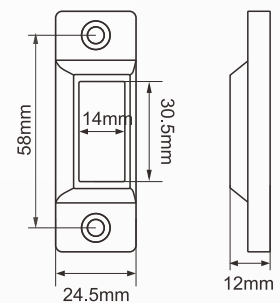
Installation size



PANEL



LOCK CASE



STRIKING PLATE



Digital Lock

F023

Used in drawer and cabinet in hospital, office, school etc.



password



High sensitivity



Wide range of use



>4000 HOUR

Low power design

F023H



F023V

Accessory parameters



LOCK CASE
Material:ABS
Size:
60×86×23.5mm



STRIKING PLATE
Material:ABS
Size:
73.3X24.2X12MM



SCREW
M4×18 (Panel)
ST3.5×20(Striking Plate)



CONNECTING WIRE

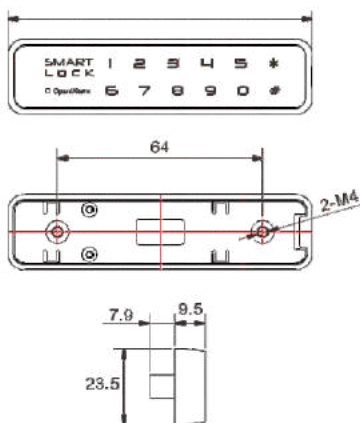
technical parameter

- Model: F023
- Color: black
- Material: zinc aluminum alloy
- Battery: 3xAAA battery
- Supply voltage: 4.5V
- Quiescent current: ≤20uA
- Dynamic current: ≤220mA
- Low voltage alarm voltage: 3.6V ± 0.2V
- Life time: >20,000 times opening
- Working temperature: 0°C-55°C
- Working humidity: 20%-80% RH

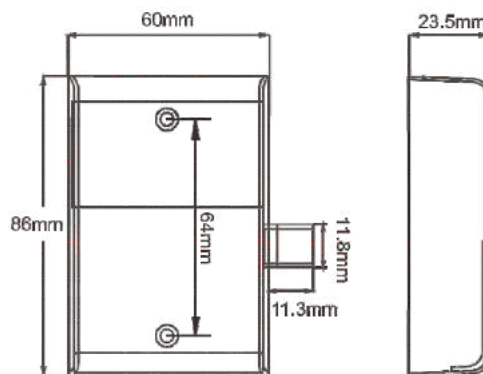
Features

- Digital and keyless.
- Small and handy with indicator, visual and audio signal.
- Programming 1-10 digit user code (PIN).
- Motorized mechanism, automatically.
- The power supply uses 3xAAA battery.
- Low-power design, life time more than 1 year.
- Low battery warning, Micro USB for low battery.
- Motorized mechanism automatically.
- Suitable for installation in drawer cabinets, single door, double door and other wooden cabinets.
- Door thickness requirement >10mm, standard screw for 15-20mm Door panel.

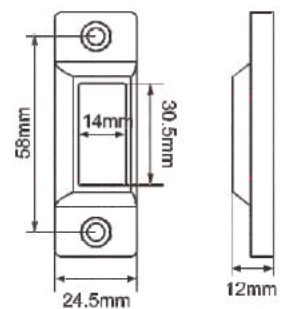
Installation size



PANEL



LOCK CASE



STRIKING PLATE



Digital Lock

F029

Used in drawer and cabinet in hospital, office, school etc.



password



High sensitivity



Wide range of use



>4000 HOUR

Low power design



Blue tooth (Optional)



F029

Accessory parameters



LOCK CASE
Material:ABS
Size:
60×86×23.5mm



STRIKING PLATE
Material:ABS
Size:
73.3X24.2X12MM



SCREW
M4×12(Panel)
ST3.5×16(Lock case)
ST3.5×20(Striking Plate)



WASHER



CONNECTING WIRE

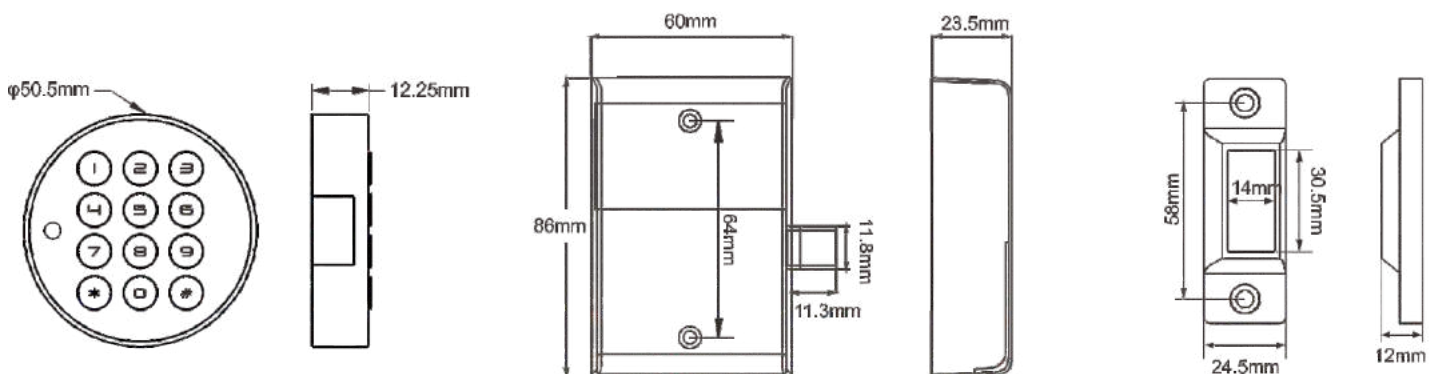
technical parameter

- Model: F029
- Color: black
- Material: zinc aluminum alloy
- Battery: 3xAAA battery
- Supply voltage: 4.5V
- Quiescent current: $\leq 20\mu\text{A}$
- Dynamic current: $\leq 220\text{mA}$
- Low voltage alarm voltage: $3.6\text{V} \pm 0.2\text{V}$
- Life time: >20,000 times opening
- Working temperature: $0^{\circ}\text{C}-55^{\circ}\text{C}$
- Working humidity: 20%-80% RH

Features

- Digital and keyless.
- Small and handy with indicator, visual and audio signal.
- Programming 4-10 digit user code (PIN).
- Override code available.
- Motorized mechanism, automatically.
- The power supply uses 3xAAA battery.
- Low-power design, life time more than 1 year.
- Low battery warning, Micro USB for low battery.
- Motorized mechanism automatically.
- Suitable for installation in drawer cabinets, single door, double door and other wooden cabinets.
- Door thickness requirement >10mm, standard screw for 15-20mm Door panel
- Blue tooth and APP function available..

Installation size



PANEL

LOCK CASE

STRIKING PLATE



Digital Cam Lock

F070

Used in drawer and cabinet in hospital, office, school etc.



Password



Wide range
of use



Energy
Saving



components



LOCK CASE
Material: ABS + Stainless Steel
Size:
88×52.5×40.5mm



Battery case
Material: ABS
Size:
57.8×30.2×12MM



SCREW
M4×40(Lock body)
M4×12(Striking Plate)



Sticker
Φ24mm

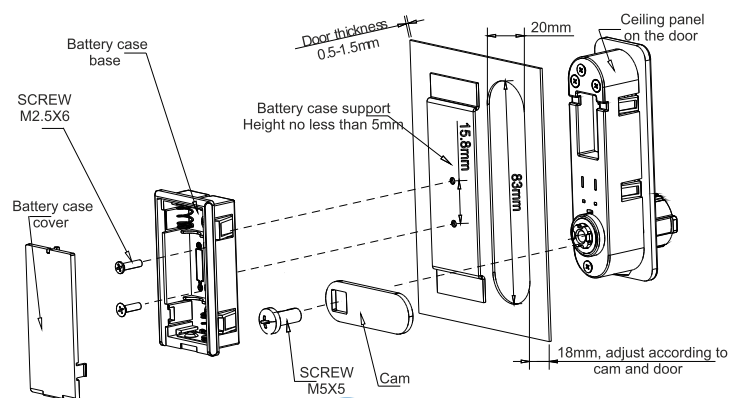
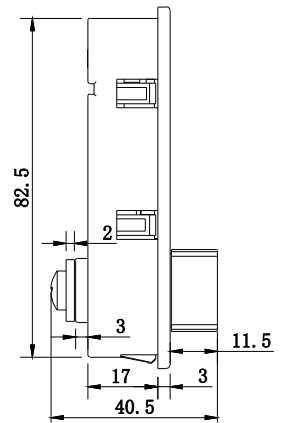
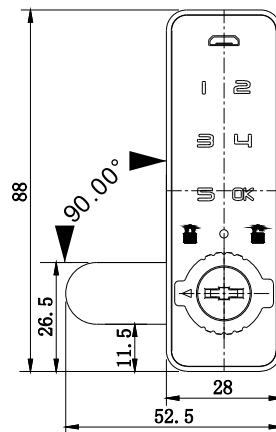
technical parameter

- Model: F070
- Color: black
- Material: ABS + Stainless Steel
- Battery: 2xAAA battery
- Supply voltage: 3V
- Quiescent current: 22uA
- Dynamic current: 4mA
- Low voltage alarm voltage: $2.6V \pm 0.2V$
- Life time: >3,000 times opening
- Working temperature: 0°C-55°C
- Working humidity: 20%-80% RH

Features

- Digital and keyless.
- Code cam lock, easy to install
- Backup lock with keys
- Turning knob available
- Low battery warning, USB port for outer power supply
- Special design for steel cabinet, mailbox, files cabinet etc.
- Door thickness requirement >0.5mm, standard screw for
- 0.5-1.5 mm Door panel

Outline





DIGITAL RFID LOCK

F034

Used in locker in gym, swimming pool, school etc.



password



RFID



Wide range
of use



Low power
design



F034H



F034V

Accessory parameters



LOCK CASE
Material:ABS
Size:
126×56×23.5mm



STRIKING PLATE
Material:ABS
Size:
73.3X24.2X12MM



SCREW
M4×18 (Panel)
ST3.5×20(Striking Plate)



CONNECTING WIRE



Yellow Orange Blue
Pink Green

RFID Bracelet-2009



Black Orange
Blue Yellow

RFID Bracelet-2016



Black Orange
Blue Pink

RFID Bracelet-2018

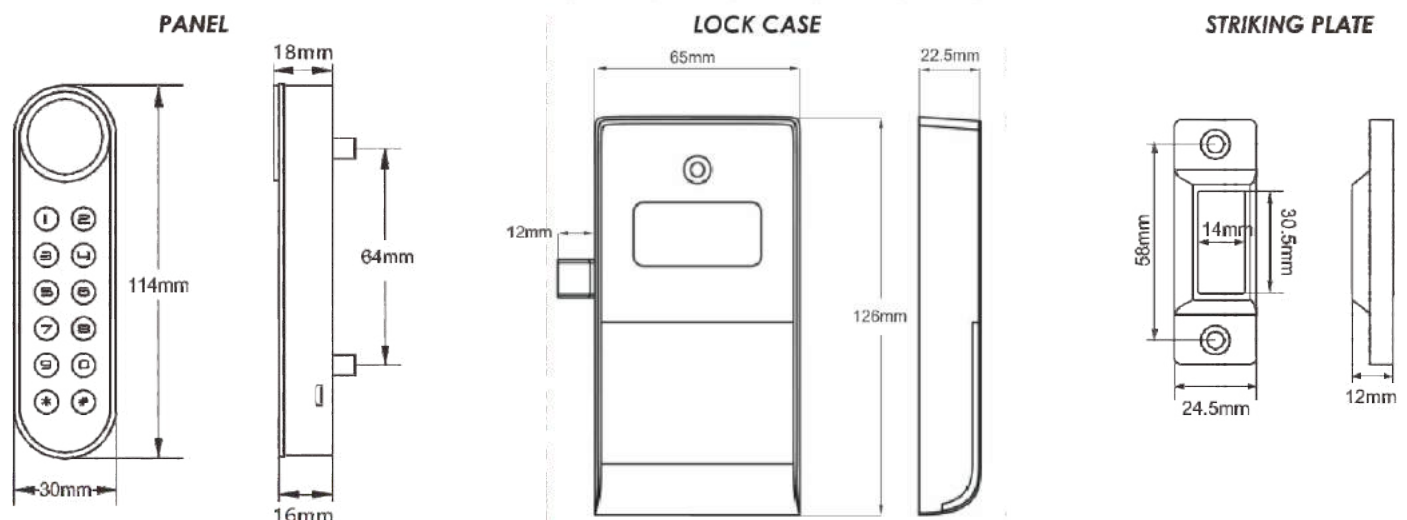
technical parameter

Features

- Model: F034
- Color: black, white
- Material: zinc aluminum alloy
- Battery: 3xAA battery
- Supply voltage: 4.5V
- Quiescent current: ≤20uA
- Dynamic current: ≤220mA
- Low voltage alarm voltage: 3.6V ± 0.2V
- Working temperature: 0°C-55°C
- Working humidity: 20%-80% RH

- Digital and keyless.
- Programming 4-10 digit user code.
- RFID sensor, easy to use and management.
- Low-power design, life time more than 1 year.
- Low battery warning, Micro USB for low battery.
- Widely used in locker in school, gym, club etc.
- Door thickness requirement >10mm, standard screw for 15-20mm Door panel.

Installation size



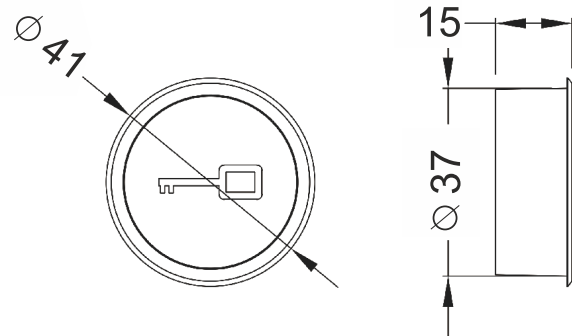
RFID Card Lock - F013



Technical Parameter

LOCK PANEL	41LX41WX15H mm
Working Voltage	DC3.4V-8V, 1.5V
Low Battery Voltage	DC3.6V±0.2V
Static Current	≤20μA
Dynamic Current	≤200MA
Working Temperature	-15°C~+38°C
Working Humidity	RH10%~70%
Material	ABS
Card Key	EM/T5557/Mifare-1

Outline



RFID Card + Password Lock - F004



White

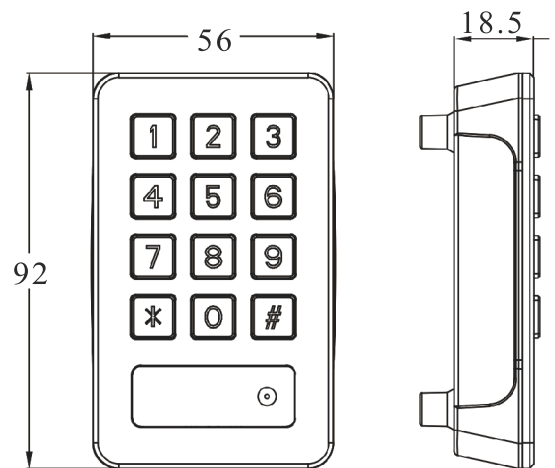


Black

Technical Parameter

LOCK PANEL	92LX56WX18.5H mm
Working Voltage	DC3.4V-8V, 1.5V
Low Battery Voltage	DC3.6V±0.2V
Static Current	≤20μA
Dynamic Current	≤200MA
Working Temperature	-15°C~+38°C
Working Humidity	RH10%~70%
Material	ABS/Stainless Steel
Card Key	EM/T5557/Mifare-1

Outline





Hidden Cabinet Lock

BF08

Used in drawer and cabinet in hospital, office, school etc.



RFID



Wide range of use



Energy Saving

components



LOCK CASE
Material: ABS + Stainless Steel
Size:
76×76×29.5mm



STRIKING PLATE
Material: ABS+ Stainless Steel
Size:
73.3X24.2X12MM



SCREW
M4×40(Lock body)
M4×12(Striking Plate)



Sticker
Φ24mm

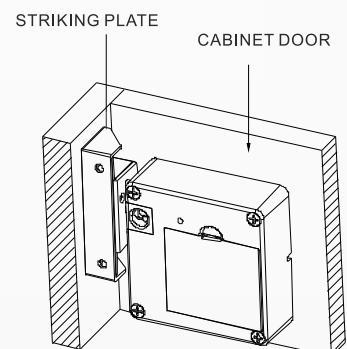
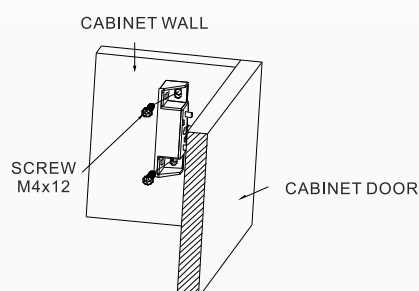
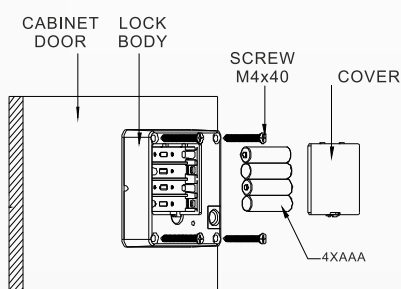
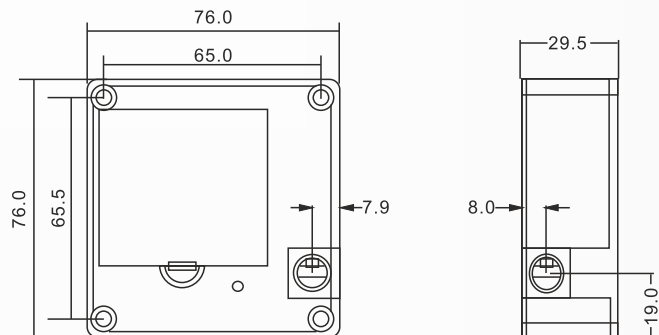
technical parameter

- Model: BF08
- Color: black
- Material: ABS + Stainless Steel
- Battery: 4xAAA battery
- Supply voltage: 6V
- Static current: 60uA
- Working current: 5.8mA
- Low voltage alarm voltage: $4.3V \pm 0.2V$
- Life time: >3,000 times opening
- Working temperature: 0°C-55°C
- Working humidity: 20%-80% RH

Features

- Digital and keyless.
- Hidden cabinet lock, easy to install
- Mifare-1 Card control, master card and user card
- Motorized mechanism, automatically.
- Low battery warning, keep open when low battery
- Motorized mechanism automatically.
- Suitable for installation in drawer cabinets, single door, double door and other wooden cabinets.
- Door thickness requirement >5mm, standard screw for 15-30mm Door panel

Outline



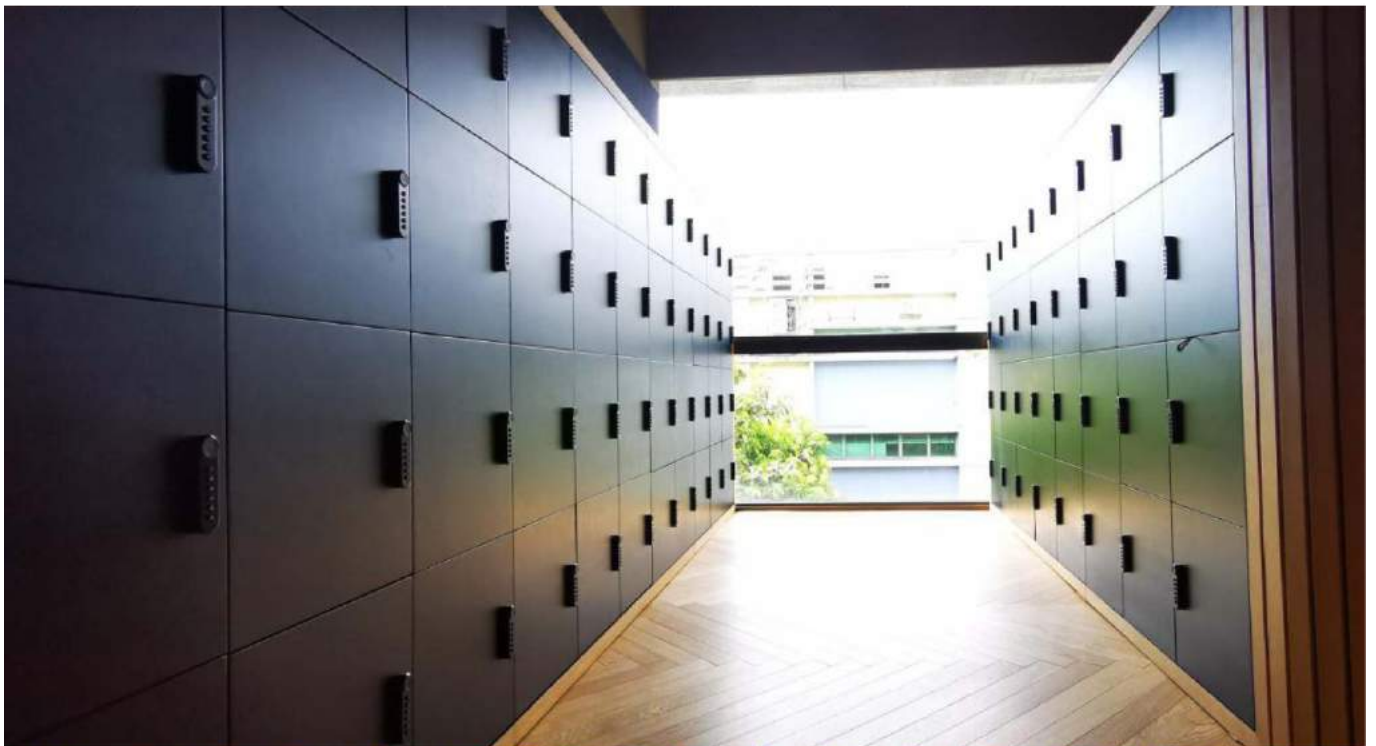
PRODUCT SOLUTIONS



Showcase



Chest of drawers



Locker

Authorised Dealer