



F022

For drawer, cabinet,
(wooden or steel)

Material: Zinc-alloy

Surface treatment: Painting, Color : Black



Fingerprint



High
sensitivity



Wide
application



Low power
design



FITTINGS

LOCK BODY



LOCK BODY: BF20
Material: ABS
Size: 86X60X22MM
Power Supply: 3*AAA (alkaline battery)



STRIKING PLATE
Material: ABS
Size: 73X24.5X12.1MM



E-KEY
Material: ABS
Size: 47X16X6.5MM

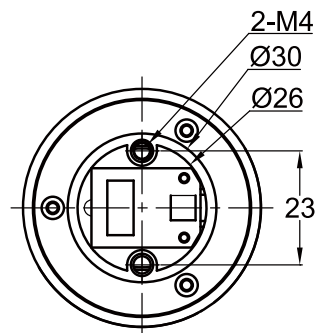
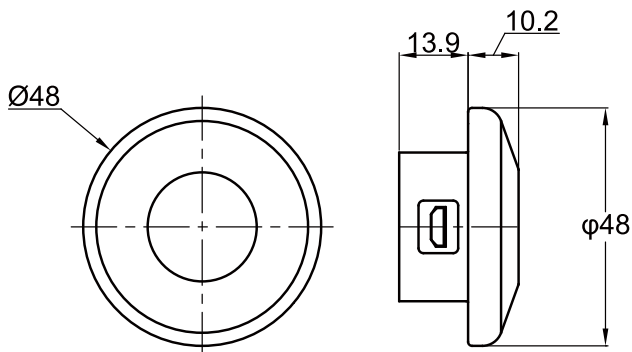
TECHNICAL PARAMETER

| | |
|---------------------|------------------------|
| Model | F022 |
| Color | Black, white |
| Fingerprint Module | Semiconductors |
| Material | Zinc-alloy |
| Battery | 3*AAA alkaline battery |
| Supply voltage | 4.5V |
| Static Current | ≤20uA |
| Dynamic Current | ≤220mA |
| Low battery | 3.6V±0.2V |
| Working Temperature | 0°C-55°C |
| Working Humidity | 20%-80%RH |

FEATURES

- Locking method: Fingerprint | E-KEY
- Lock mode: Auto lock | Manual lock
- Can set 20 fingerprints
- Support E-KEY management unlock function
- Low power consumption and long battery life
- Low battery warning, Emergency Power Supply
- Supply emergency power supply
- Panel design to take into account the beauty and practicality
- Can be as handle
- Three-color ring fingerprint aperture

PRODUCT SIZE



Installation drawing

