



# F040

For drawer, cabinet,  
(wooden or steel)

Material: ABS

Surface treatment: Moulding, Color : Black, Silver, Gold, White



Fingerprint



High  
sensitivity



Wide  
application



>10000  
HOUR  
Low power  
design



Black



Gold



Silver



White

## FITTINGS

## LOCK BODY



LOCK BODY: BF20  
Material: ABS  
Size: 86X60X22MM  
Power Supply: 3\*AAA (alkaline battery)



STPIKING PLATE  
Material: ABS  
Size: 73X24.5X12.1MM



E-KEY  
Material: ABS  
Size: 33X15X7MM

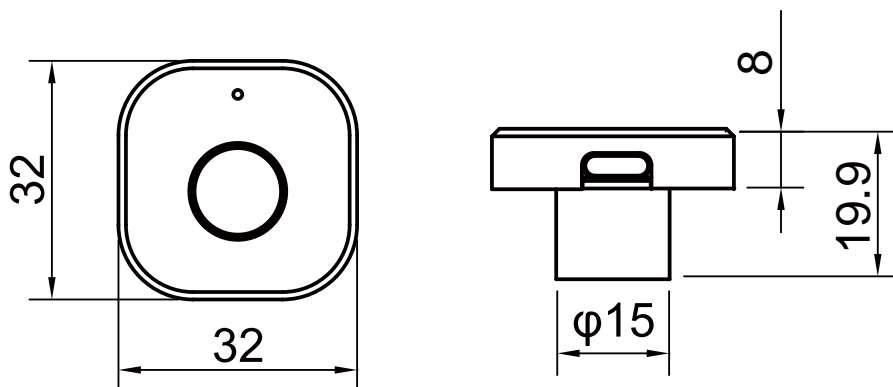
## TECHNICAL PARAMETER

## FEATURES

Model	F040
Color	Black, white, gold, silver
Fingerprint Module	Semiconductors
Material	ABS
Battery	3*AAA alkaline battery
Supply voltage	4.5V
Static Current	≤20uA
Dynamic Current	≤220mA
Low battery	3.6V±0.2V
Working Temperature	0°C-55°C
Working Humidity	20%-80%RH

- Can set 20 fingerprints
- Support E-KEY to restore factory settings
- Low power consumption and long battery life
- Low battery warning
- Support external emergency power supply
- Three-color status indicator
- Round hole embedded installation, simple and easy
- Can replace the traditional mechanical cabinets lock
- Free of opening holes

## PRODUCT SIZE



Installation drawing

