



BF19

For drawer, cabinet,
(wooden or steel)

Material: ABS
Color: Black



IC Card



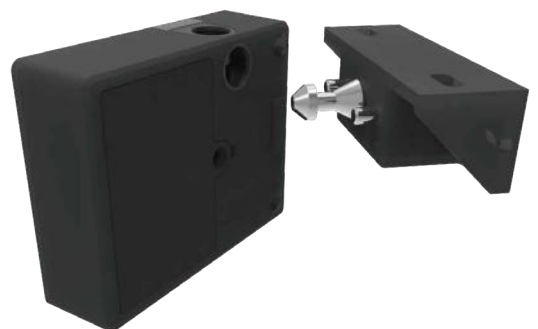
High
sensitivity



Wide
application



>10000
HOUR
Low power
design



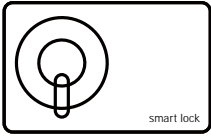
FITTINGS



SMALL CARD



CABINET LOCK SETTING PIN



BIG CARD



STPIKING PLATE



SWIPE CARD INDICATION STICKER

TECHNICAL PARAMETER

Model	BF19
Color	Black
Number of IC cards	15 sheets
Material	ABS
Battery	3*AAA alkaline battery
Supported card types	MIFARE M1 Card
Static Current	≤35uA
Dynamic Current	≤220mA
Voltage Range	3.5V~6V
Working Temperature	0°C-55°C
Working Humidity	20%-80%RH

FEATURES

- Can store up to 15 IC cards
- Support phone NFC swipe card
- Low power consumption and long battery life
- Low battery warning, immediately replace battery
- Management card with daily card
- Can unlock in emergency
- Automatic pop-up function

PRODUCT SIZE

